

Functional Characteristics 電氣特性		
Testing current 測試電流	Blow time limit 熔斷時間	
	Min 最小	Max 最大
100%	4 hour (小時)	-
135%	-	1 hour (小時)
200%	3 sec (秒)	10 sec (秒)

Safety Approvals (安全認証)

UL recognized and CSA component accepted from 125mA to 5A at 350V.

Marking (印字)

Sun trademark, appropriate UL/CSA logo, "5K", current and voltage ratings are stamped on the fuse end caps.

RoHS compliant version is identified by an additional logo of "G" in a circle.

Material (材料)

Fuse body – glass tube

End cap – nickel plated brass

Pigtail – tin plated copper on nickel plated brass cap

Packing (包裝)

- Bulk pack of 500pcs per box.

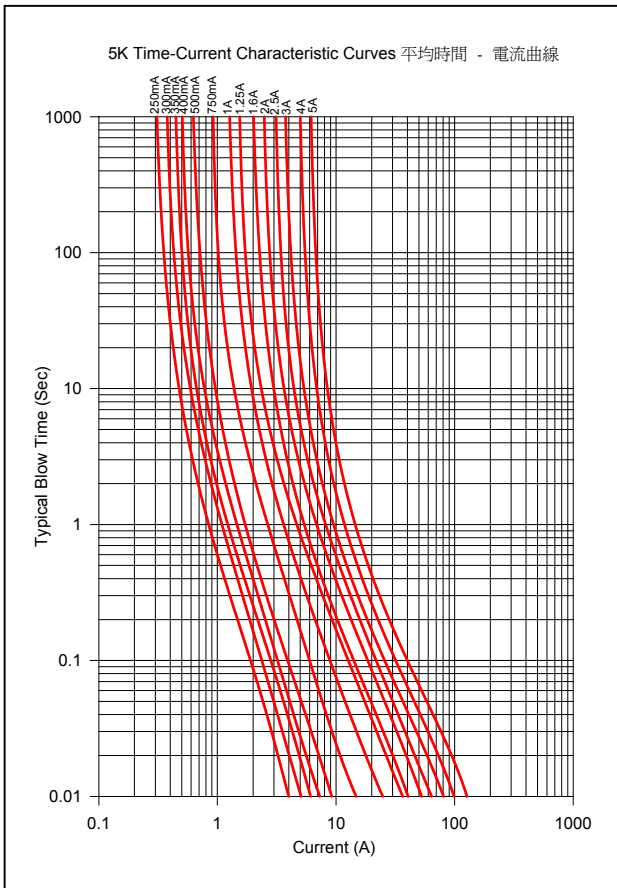
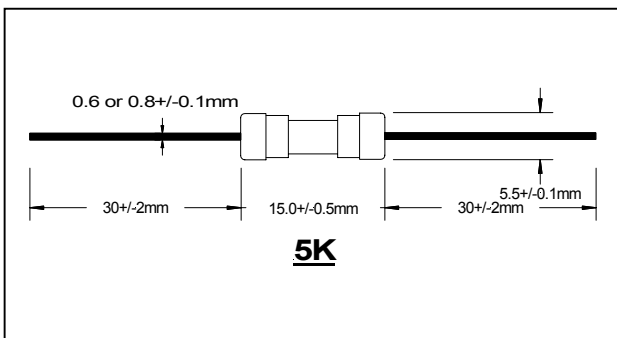
- Taped & reeled of 1500pcs per reel (EIA-296, 10mm pitch, 63.5mm inside tape spacing).

Power Cross Rating

600VAC, 40A

RoHS

RoHS compliant version (EU Directive 2002/95/EC) is available. Please add suffix (G) to order.



Reference Information 參考資料						
Current Rating 額定電流 (A)	Voltage Rating 額定電壓 (V)	Avg Cold Resistance 平均電阻 (ohm)	Avg V - drop 平均電壓降 (V)	Avg Power Dissipation 平均消耗功率 (W)	Average I ² t value 熔化熱能 (A ² sec)	Lightning surge 脈衝電流 (A)
0.200	350	3.40	0.95	0.19	0.14	10
0.250	350	2.55	0.85	0.21	0.25	15
0.300	350	1.72	0.70	0.21	0.36	20
0.350	350	1.22	0.60	0.21	0.60	25
0.400	350	0.94	0.54	0.22	0.65	30
0.500	350	0.60	0.44	0.22	1.1	35
0.750	350	0.33	0.35	0.26	3.0	55
1.0	350	0.18	0.27	0.27	6.2	Consult factory 向工廠查詢
1.25	350	0.14	0.24	0.30	11	
1.5	350	0.10	0.22	0.33	19	
1.6	350	0.095	0.22	0.35	21	
2.0	350	0.065	0.19	0.38	26	
2.5	350	0.048	0.18	0.45	64	
3.0	350	0.038	0.17	0.51	93	
4.0	350	0.025	0.15	0.60	105	
5.0	350	0.019	0.15	0.75	175	

Note (備注):
 1. The Voltage Drop values are measured at 100% rated current.
 2. The Power Dissipation values are measured after testing at 100% rated current.
 3. The above figures are typical values for reference only and should not be used as acceptance criteria.
 4. Please consult factory for availability of other ratings.